

# ELECTRIFIED INGENUITY

Innovation Meets Acceleration



BYD SEAL

BYD



HARMONY AUTO  
和諧汽車



#### 比亞迪荃灣4S店

地址：荃灣海盛路3號 TML 廣場地下 G 及 H 室  
電話：2663 1809 (銷售)  
營業時間：星期一至星期日 9:00a.m. - 8:00p.m.

#### 比亞迪將軍澳陳列室

地址：新界將軍澳唐唐街21號 廟滙坊 G-1B  
電話：26630 098  
營業時間：星期一至星期日 11:00a.m. - 9:00p.m.

#### 比亞迪沙田陳列室

地址：沙田安群街3號 京瑞廣場一期地下 G51 號  
電話：2663 0818  
營業時間：星期一至星期日 9:00a.m. - 8:00p.m.

#### 比亞迪西貢陳列室

地址：新界西貢惠民路28號 WM 酒店 LG 層 C1  
電話：2663 0890  
營業時間：星期一至星期日 10:00a.m. - 7:00p.m.





北冰藍  
ARCTIC BLUE



極光白  
AURORA WHITE







亞特蘭蒂斯灰  
ATLANTIS GRAY



迷迭灰  
SHARK GRAY







玄空黑  
COSMOS BLACK



風卷草綠  
MYSTIC GREEN





海洋美學 Ocean Aesthetics

海天一線貫穿式尾燈  
Boundless One-piece Through LED Tail Light



海蘊智雅舒享坐艙  
Ocean Smart Comfy Cabin



全景天幕  
Panoramic Glassroof



長續航里程650km(NEDC)  
Driving Range 650 km (NEDC)



百公里加速3.8秒  
0-100km/h Acceleration 3.8s

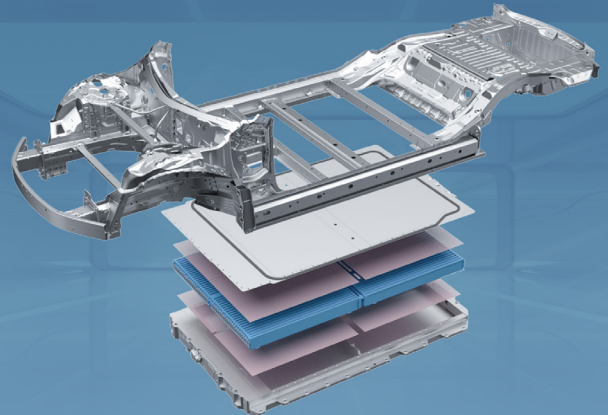


超低風阻0.219Cd  
Ultra-low Drag Co-efficient 0.219 Cd



全新升級e平台3.0 All New e-Platform 3.0

CTB電池車身一體化架構  
Blade Battery CTB (cell-to-body) Integrating Technology



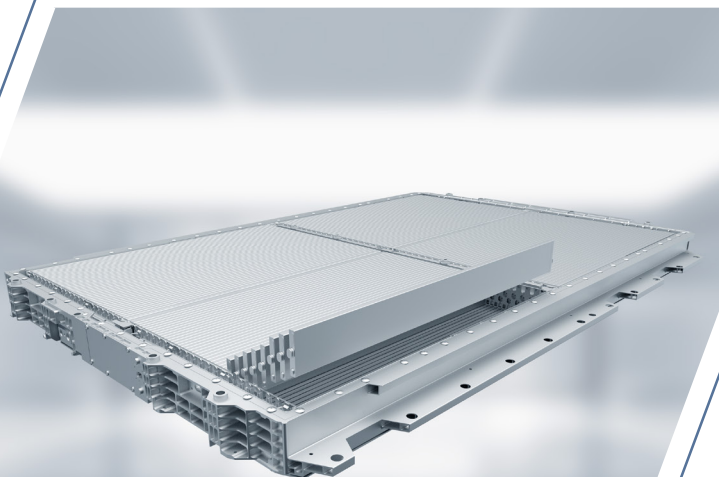
智能科技 Intelligent Technology



抬頭顯示  
Head Up Display (HUD)

15.6英寸自適應旋轉屏  
15.6-inch Adaptive Rotating Touch Screen

刀片電池 Blade Battery

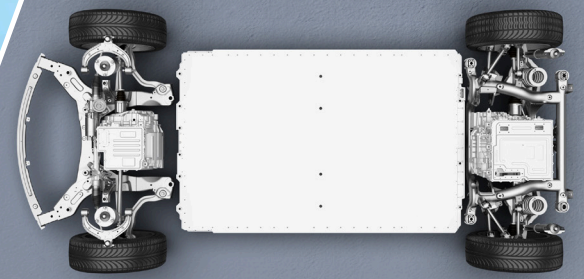


極致操控 Ultimate Handling



iTAC 智能扭矩控制系统  
iTAC (Intelligence Torque Adaption Control)

頂級懸掛 High-end Suspension



前雙叉臂+後五連桿  
Double Wishbone + Multi-Link





奢享空間 Luxury Space



HiFi級定制丹拿音響  
HiFi Customization DYNAUDIO Sound



私享NVH靜謐空間  
Enjoy NVH Quiet Space



一體式超感座椅  
Integrated Sensory Seat



## BYD SEAL 規格表 Specifications

尺寸參數	Dimensions	Standard Range 標準續航版	Extended Range 超長續航版	AWD 四輪性能版
長 (mm)	Overall length (mm)		4,800	
寬 (mm)	Overall width (mm)		1,875	
高 (mm)	Overall height (mm)		1,460	
前後輪距 (mm)	Wheel track - front / rear (mm)		1,620/1,625	
軸距 (mm)	Wheelbase (mm)		2,920	
最小轉彎半徑 (m)	Minimum turning radius (m)		5.7	
最小離地間隙 (滿載) (mm)	Ground clearance unladen (mm)		145	
行李箱容積 (前) (L)	Front trunk capacity (L)		50	
行李箱容積 (後) (L)	Rear trunk capacity (L)		400	
整備品質 (kg)	Kerb weight (kg)	1,922	2,055	2,185
最大總品質 (kg)	Gross vehicle mass (kg)	2,344	2,501	2,631
電機參數	Taction Motor			
驅動方式	Drivetrain	Rear Drive 後驅	Rear Drive 後驅	All-Wheel Drive 全輪驅動
前電機類型	Front motor type	/	/	Squirrel cage induction asynchronous motor 異步電機
前電機最大功率 (kW)	Front motor maximum power (kW)	/	/	160
前電機最大扭矩 (N·m)	Front motor maximum torque (N·m)	/	/	310
後電機類型	Rear motor type	Permanent magnet synchronous motor 交流永磁同步馬達		
後電機最大功率 (kW)	Rear motor maximum power (kW)	150	230	230
後電機最大扭矩 (N·m)	Rear motor maximum torque (N·m)	310	360	360
系統綜合最大功率 (kW)	Maximum power (kW)	150	230	390
系統綜合最大扭矩 (N·m)	Maximim torque (N·m)	310	360	670
車輛性能	Performance			
百公里加速時間 (s)	Acceleration 0-100km/h (s)	7.5	5.9	3.8
純電續航里程 (NEDC) (km)	Electric range: NEDC Combined Cycle (km)	510	650	580
純電續航里程 (WLTC) (km)	Electric range: WLTC Combined Cycle (km)	460	570	520
座位數	Seating capacity	5		
電池類型	Battery type	BYD Blade Battery 比亞迪磷酸鐵鋰刀片電池		
電池容量 (kWh)	Battery capacity (kWh)	61.44	82.56	
車輛懸掛	Chassis			
前懸	Front suspension	Double Wishbone 雙搖臂		
後懸	Rear suspension	Multi-Link 多連桿		
頻率可變阻尼減振器	Frequency Selective Damping (FSD) shock absorbers	/	/	Front + Rear 前+後
前制動	Front disc brake	Ventilated 通風盤式	Ventilated+Drilled 打孔通風盤式	Ventilated+Drilled 打孔通風盤式
後制動	Rear disc brake	Ventilated 通風盤式	Ventilated 通風盤式	Ventilated 通風盤式
前剎車鉗	Front brake caliper	Floating 浮動式卡鉗	Fixed 固定式卡鉗	Fixed 固定式卡鉗
車輪	Wheel type	Alloy 鋁合金	Alloy 鋁合金	Alloy 鋁合金
輪胎尺寸	Tyre size	225/50 R18	235/45 R19	235/45 R19

充電參數	New Energy	Standard Range 超長續航版	Extended Range 超長續航版	AWD 四輪性能版
交流充電 (功率7kW)	AC charging port - Type 2 (7kW)	●	●	●
直流充電 (功率110kW)	DC Charging Port - CCS 2 (110kW)	●	–	–
直流充電 (功率150kW)	DC Charging Port - CCS 2 (150kW)	–	●	●
VTOL移動電站功能	V2L function	●	●	●
回饋制動	Regenerative Braking	●	●	●
安全設備	Safety and Security			
前排前安全氣囊	Front airbags - driver & front passenger	●	●	●
前排側安全氣囊	Side airbags - driver & front passenger	●	●	●
前後貫穿式側安全氣簾	Side curtain airbags - front & rear	●	●	●
駕駛員座椅遠端氣囊	Far-side airbags - driver	●	●	●
後排側安全氣囊	Side airbags - rear	●	●	●
前排雙預緊式安全帶	Dual stage pretensioner on front seat belts	●	●	●
後排預緊式安全帶	Pretensioner on rear seat belts	●	●	●
全車座椅安全帶提示系統	Seat belt reminder - front & rear	●	●	●
全景影像	360° Camera	●	●	●
前泊車雷達 (2個)	Front Parking Sensor (2 Zones)	●	●	●
後泊車雷達 (4個)	Rear Parking Sensor (4 Zones)	●	●	●
ISO-FIX兒童座椅固定裝置	ISOFIX Child restraint anchorage points	●	●	●
電子兒童安全鎖	Electronic child lock	–	–	●
智慧動力制動系統	Intelligent power brake system	●	●	●
電動助力轉向系統 (DP-EPS)	Electric Power Steering (DP-EPS)	●	●	●
牽引力控制系統 (TCS)	Traction Control System (TCS)	●	●	●
電子制動力分配系統 (EBD)	Electronic Brake Force Distribution (EBD)	●	●	●
坡道起步控制系統 (HHC)	Hill Hold Control (HHC)	●	●	●
自動駐車系統	Auto-hold	●	●	●
自我調整巡航控制 (ACC)	Adaptive Cruise Control (ACC)	●	●	●
自動緊急制動 (AEB)	Automatic Emergency Braking (AEB)	●	●	●
車道偏離預警 (LDW)	Lane Departure Warning (LDW)	●	●	●
車道偏離抑制 (LDP)	Lane Departure Prevention (LDP)	●	●	●
緊急車道保持輔助 (ELKA)	Emergency Lane Keeping Assist (ELKA)	●	●	●
智慧巡航控制 (ICC)	Intelligent Cruise Control (ICC)	●	●	●
預測性碰撞預警 (PCW)	Predictive Collision Warning (PCW)	●	●	●
交通標誌識別 (TSR)	TrafficSign Recognition (TSR)	●	●	●
智能限速警報 (ISLI)	Intelligent Speed Limit Information (ISLI)	●	●	●
智慧限速控制 (ISLC)	Intelligent Speed Limit Control (ISLC)	●	●	●
前方交通穿行預警 (FCTA)	Front Cross Traffic Alert (FCTA)	●	●	●
前方交通穿行制動 (FCTB)	Front Cross Traffic Brake (FCTB)	●	●	●
後方交通穿行預警 (RCTA)	Rear Cross Traffic Alert (RCTA)	●	●	●
後方交通穿行制動 (RCTB)	Rear Cross Traffic Brake (RCTB)	●	●	●
盲區監測 (BSD)	Blind Spot Detection (BSD)	●	●	●
開門預警 (DOW)	Door Open Warning (DOW)	●	●	●
智慧遠近光燈輔助 (HMA)	High Beam Assist (HMA)	●	●	●
駕駛員注意力警告 (DAW)	Driver Attention Warning (DAW)	●	●	●
抬頭顯示 (HUD)	Head Up Display (HUD)	–	●	●
智慧扭矩控制系統 (ITAC)	Intelligence Torque Adaption Control (ITAC)	–	–	●
車輛外型	Exterior			
全景鍍銀天幕	Silver-plated panoramic glass roof	●	●	●

隱藏式門把手	Electronic hidden door handles	●	●	●
後風窗玻璃印刷天線	Rear windscreen mount antenna	●	●	●
尾門一鍵開啟/關閉	One-touch open/close tailgate	●	●	●
電動調節前後視鏡帶加熱功能	Electrically heated and adjustable exterior mirrors	●	●	●
外後視鏡電動折疊	Electrically retractable exterior mirrors	●	●	●
外後視鏡倒車自動調節	Door mirror auto-tilt	–	●	●
外後視鏡位置記憶	Door mirror position memory	–	●	●
四門車窗遙控升降及一鍵升降帶防夾	Auto windows with anti-trap	●	●	●
前風擋和前排雙層隔音隔熱玻璃	Soundproof double glazed glass - windsheid and front door	●	●	●
後擋風玻璃電加熱除霜	Rear windscreen with electric heating and defrosting	●	●	●
車廂設備	Interior			
多功能方向盤	Steering wheel mounted controls - Audio, phone, ACC and Multi-Function display	●	●	●
仿皮方向盤	Imitation leather-wrapped steering wheel	●	–	–
真皮方向盤	Genuine leather-wrapped steering wheel	–	●	●
10.25英寸全液晶屏儀錶	10.25-inch LCD instrumentation	●	●	●
前排中央扶手收納空間	Centre console storage compartment	●	●	●
仿皮質座椅	Imitation leather-wrapped seats	●	–	–
高級真皮座椅	Genuine leather-wrapped seats	–	●	●
主駕駛椅8向電動調節	Driver seat 8-way power adjustable	●	●	●
主駕駛座椅4向電動調節腰撐	Driver seat 4-way lumbar power adjustment	–	●	●
副駕駛椅6向電動調節	Passenger seat 6-way power adjustable	●	●	●
前排座椅通風/加熱	Front seats ventilated & heated	●	●	●
司機座椅記憶	Driver seat with position memory	–	●	●
迎賓座椅	Courtesy seating	–	●	●
前排副儀錶台雙杯托	Vice dashboard with dual cup holders	●	●	●
前排副儀錶板升降式杯托	Front height-adjustable cap holder	●	●	●
後排中央扶手 (帶雙杯托)	Rear row central armrest (with dual cup holders)	●	●	●
自動防眩目內後視鏡	Automatic anti-dazzle interior rearview mirror	●	●	●
雨量感應式雨刮	Rain sensing frameless wipers	●	●	●
金屬迎賓踏板	Metal door sill protectors	●	●	●
主副駕帶化妝鏡遮陽板	Front sunvisor with vanity mirror & lighting	●	●	●
多媒體配置	Entertainment			
FM收音機	FM Radio	●	●	●
*Apple CarPlay®	*Apple CarPlay® (USB)	●	●	●
*藍牙連接	*Bluetooth® phone connectivity and audio streaming	●	●	●
15.6寸可旋轉多媒體螢幕	15.6 Inch intelligent Rotating touch screen display	●	●	●
丹拿音響 (12個喇叭音響系統)	DYNAUDIO, 12 speakers	●	●	●
智慧語音助手-英語	Voice assistant - English	●	●	●
USB前排2個 (typeA+ typeC)	1 x USB-C & 1 x USB-A, Front	●	●	●
USB後排2個 (typeA+ typeC)	1 x USB-C & 1 x USB-A, Rear	●	●	●
OTA遠程升級	OTA updates	●	●	●
車輛燈光	Light			
LED前大燈	LED headlight	●	●	●
“Follow me home”大燈延時關閉	Follow me home headlight	●	●	●
LED日間行車燈	LED daytime running light	●	●	●
LED貫穿式後組合燈	LED taillight light	●	●	●

後霧燈	Rear fog light	●	●	●
後動態轉向燈	Sequential rear indicators	●	●	●
LED高位制動燈	LED centre high mount stop light	●	●	●
多色律動內飾氛圍燈	RGB dynamic mood lights with rhythm function	●	●	●
前排閱讀燈	LED front reading light	●	●	●
後排閱讀燈	LED rear side reading light	●	●	●
行李箱照明燈	Luggage compartment light	●	●	●
便利配置	Comfort and Convenience			
無鑰匙啟動系統	Keyless entry & start	●	●	●
NFC鑰匙卡	NFC card key	●	●	●
手機無線充電功能 × 2	Wireless phone charger × 2	●	●	●
12V車載電源接口	12V accessory socket	●	●	●
PM2.5 綠淨系統	PM2.5 filtration system	●	●	●
PM2.5 高效復合空調濾芯 (CN95)	PM2.5 high efficiency filter (CN95)	●	●	●
負離子淨化器	Negative ion air purifier	●	●	●
自動雙溫熱泵空調	Automatic dual-zone heat pump air-conditioning	●	●	●
後排中央空調出風口	Rear central air vents	●	●	●
補胎工具	Tyre repair kit	●	●	●
隨車工具	Tool kit	●	●	●

**注意：**

●續航里程根據駕駛習慣、路況及交通等不同會有差異，提供的數據為計算值，僅供參考。

●Bluetooth®是藍牙技術聯盟 (Bluetooth SIG)的註冊商標。

●Apple CarPlay®是蘋果公司的註冊商標。

●車身顏色示意圖由於印刷等原因可能會與實際顏色有不同，圖片僅供參考。

●駕駛輔助系統旨在為駕駛員提供幫助，不能替代駕駛員對確保行車安全的責任。

●根據市場實際情況，比亞迪汽車工業有限公司保有更改本手冊中車輛規格及配置的權力。

#### NOTE

●The real range is influenced by many factors such as individual driving style, load, traffic etc. The declared range is estimated for reference only.

●Bluetooth® is a registered trademark of Bluetooth SIG, Inc. Compatibility and functionality varies depending on device.

●Apple CarPlay® is a registered trade mark of Apple Inc. Requires compatible device, USB connection

●Colours depicted are a guide only and may vary from actual colours due to the printing.

●Driving assist system are not a substitute for the driver’s responsibility of the vehicle.

●BYD reserves the right to vary vehicle specifications and standard features from those detailed in this brochure.

#### 外形尺寸

Dimensions



#### 車廂顏色

Interior color





**BYD 沙田服務中心 (即將營業)**

地址: 沙田大圍成運路 2-8 號地下

電話: 2663 1008

**BYD 比亞迪荃灣4S店**

地址: 荃灣海盛路3號TML廣場

電話: 2663 1809

**BYD SHA TIN Service Center (Opening Soon)**

ADD: G/F., 2-8 Shing Wan Road,  
Tai Wai, Shatin

TEL: 2663 1008

**BYD Tsuen Wan 4S Center**

ADD: Unit G&H, G/F, TML Tower, No. 3  
Hoi Shing Road, Tsuen Wan

TEL: 2663 1809

**BYD SHA TIN**

ADD: Shop G51, G/F., Kings Wing  
Plaza 1, 3 On Kwan Street, Shatin

TEL: 2663 0818

**BYD SAI KUNG**

ADD: Shop C1, WM Hotel, 28 Wai Man  
Road, Sai Kung

TEL: 2663 0890

**BYD TSEUNG KWAN O**

ADD: Shop G-1B, Papillons Square, 21 Tong  
Chun Street, Tseung Kwan O

TEL: 2663 0098

**BYD YAU TONG Service Center**

ADD: Shop A-B&D, G/F, Wing Shan Industrial Building,  
428 Cha Kwo Ling Road, Yau Tong

TEL: 2663 2808

**BYD 沙田陳列室**

地址: 沙田安群街 3號京瑞廣場一期地下G51號舖

電話: 2663 0818

**BYD 西貢陳列室**

地址: 西貢惠民路28號 WM 酒店C1商舖

電話: 2663 0890

**BYD 將軍澳陳列室**

地址: 將軍澳唐俊街 21號翹匯坊G-1B

電話: 2663 0098

**BYD 油塘服務中心**

地址: 茶果岭道428號榮山工業大廈地下

電話: 2663 2808